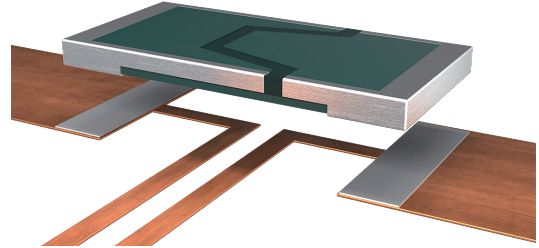




25003/VMI (0805)

ISA-PLAN® PRECISION RESISTOR



FEATURES

- Constant current up to 7 A (10 mOhm)
- 0.5 W power rating at 70 °C
- Two-terminal configuration
- Excellent temperature behavior
- Excellent heat dissipation
- High application temperature range -65 to +170 °C
- SnPb plated terminals

APPLICATIONS

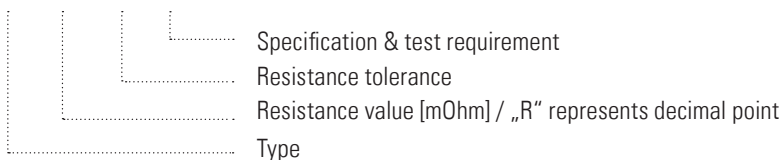
- Industrial Grade / Engineering Models (Test Code A)
- Military Grade (Test Code B)
- Space Level (Test Code T)

Technical data

Resistance values	mOhm	10 to 100		
Tolerance	%	1		
Temperature coefficient	ppm/K	-55°C to +25°C	+25°C to +125°C	-55°C to +125°C
		±120	±75	±60
Applicable temperature range	°C	-65 to +170		
Power rating P_{70°C}	W	0.5		
Stability (at rated power) deviation after 1000h, T_K = Terminal temperature	%	< 0.5 ($T_K=70^\circ\text{C}$)		

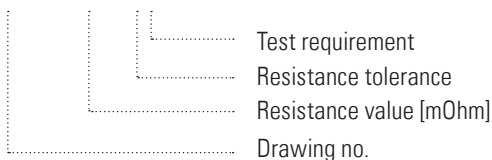
Ordering code Isabellenhütte

VMI - R010 - 1.0 - PMA



DLA Part or Identifying Number (PIN)

25003 - ***** FA



Recommended solder profile

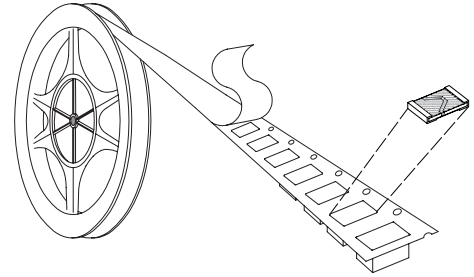
Reflow-, IR-soldering				
Temperature	°C	260	255	217
Time	sec	peak	40	90

Tape and reel information

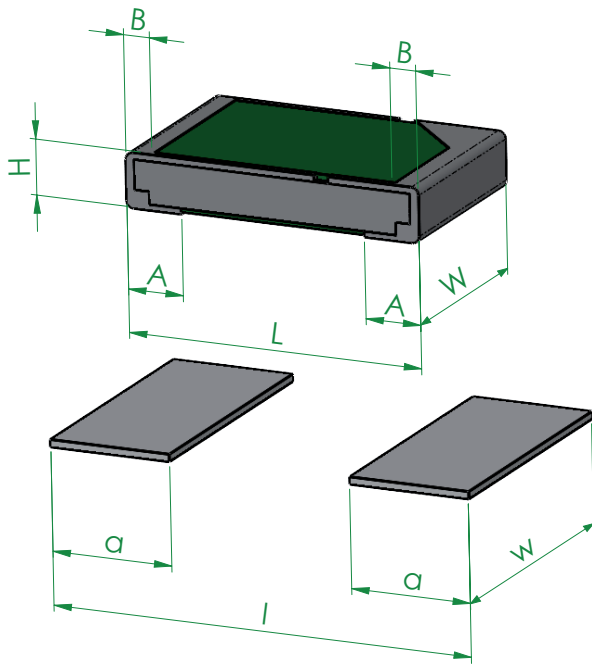
Specification	DIN EN 60286-3			
Tape width	mm	12		
Reel size	inch	13		

Form of delivery

Cut tape	pcs	up to 1,500		
Tape and reel	pcs	>1,500		



Mechanical dimensions and pcb-layout proposal (reflow-soldering) [mm]



Type	L	W	H	A	B
VMI-PMx	2.03 ± 0.15	1.27 ± 0.15	0.4 ± 0.15	0.38 ± 0.21	0.18 + 0.15/-0.1

Solder pad type	l	w	a
VMI-PMx	2.9	1.8	0.82

Available standard resistance values and tolerances*

Version	DLA drawing no.	Test code	Test requirements acc. to MIL-PRF 32773
Industrial Grade	25003	A	Group A inspection (M Level)
Military Grade		B	Group A & Group B inspection (T Level)
Space Level		T	Group A & Group B inspection (T Level) + Life Test (1000 hrs) acc. to para 4.5 of the DLA drawing

Ordering code	PIN
VMI-R010-1.0-PMA	25003-OR010FA
VMI-R010-1.0-PMB	25003-OR010FB
VMI-R010-1.0-PMT	25003-OR010FT
VMI-R012-1.0-PMA	25003-OR012FA
VMI-R012-1.0-PMB	25003-OR012FB
VMI-R012-1.0-PMT	25003-OR012FT
VMI-R020-1.0-PMA	25003-OR020FA
VMI-R020-1.0-PMB	25003-OR020FB
VMI-R020-1.0-PMT	25003-OR020FT
VMI-R033-1.0-PMA	25003-OR033FA
VMI-R033-1.0-PMB	25003-OR033FB
VMI-R033-1.0-PMT	25003-OR033FT
VMI-R050-1.0-PMA	25003-OR050FA
VMI-R050-1.0-PMB	25003-OR050FB
VMI-R050-1.0-PMT	25003-OR050FT
VMI-R075-1.0-PMA	25003-OR075FA
VMI-R075-1.0-PMB	25003-OR075FB
VMI-R075-1.0-PMT	25003-OR075FT
VMI-R100-1.0-PMA	25003-OR100FA
VMI-R100-1.0-PMB	25003-OR100FB
VMI-R100-1.0-PMT	25003-OR100FT

* Further values on request

Disclaimer // All products, product specifications and data are subject to change without notice. The product specifications do not expand or otherwise modify Isabellenhütte's terms and conditions of sale, including but not limited to, the warranty expressed therein. Isabellenhütte makes no warranty, representation or guarantee other than as set forth in its terms and conditions of sale. Information provided in datasheets and/or specifications may vary from actual results in different applications. Any statements made by Isabellenhütte regarding the suitability of products for certain types of applications are based on its knowledge of typical requirements that are often placed on its products. It is the customer's responsibility to validate that a particular product with the properties described in the product specification is suitable for use in the application intended. No license, express or implied, or otherwise, to any intellectual property rights is granted by this document. Any and all liability arising out of the application or use of any product shall be as set forth in Isabellenhütte's terms and conditions of sale.

