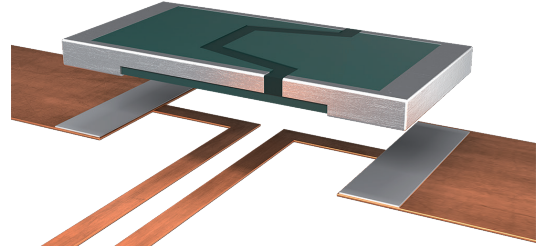




## 25004/VMK (1206)

### ISA-PLAN® PRECISION RESISTOR



#### FEATURES

- Constant current up to 8.5 A (10 mOhm)
- 0.75 W power rating at 70 °C
- Two-terminal configuration
- Excellent temperature behavior
- Excellent heat dissipation
- High application temperature range -65 to +170 °C
- SnPb plated terminals

#### APPLICATIONS

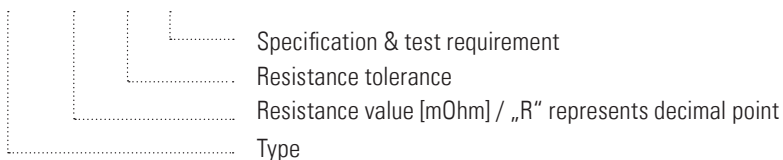
- Industrial Grade / Engineering Models (Test Code A)
- Military Grade (Test Code B)
- Space Level (Test Code T)

#### Technical data

Resistance values	<b>mOhm</b>	10 to 470		
Tolerance	<b>%</b>	0.5 / 1		
Temperature coefficient	<b>ppm/K</b>	-55°C to +25°C	+25°C to +125°C	-55°C to +125°C
		±60	±35	±50
Applicable temperature range	<b>°C</b>	-65 to +170		
Power rating <b>P<sub>70°C</sub></b>	<b>W</b>	0.75		
Stability (at rated power) deviation after 1000h, $T_K$ = Terminal temperature	<b>%</b>	< 0.5 ( $T_K=70^\circ\text{C}$ )		

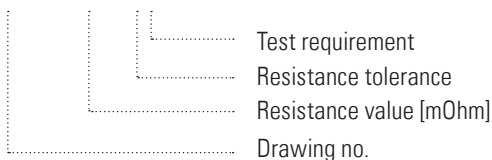
#### Ordering code Isabellenhütte

VMK - R010 - 1.0 - PMB



#### DLA Part or Identifying Number (PIN)

25004 - \*\*\*\*\* DB



## Recommended solder profile

Reflow-, IR-soldering

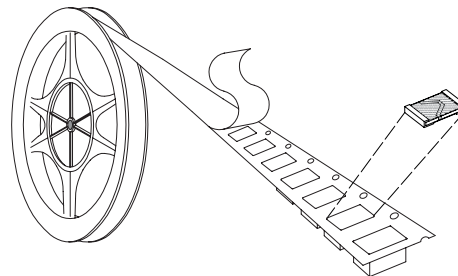
Temperature	°C	260	255	217
Time	sec	peak	40	90

## Tape and reel information

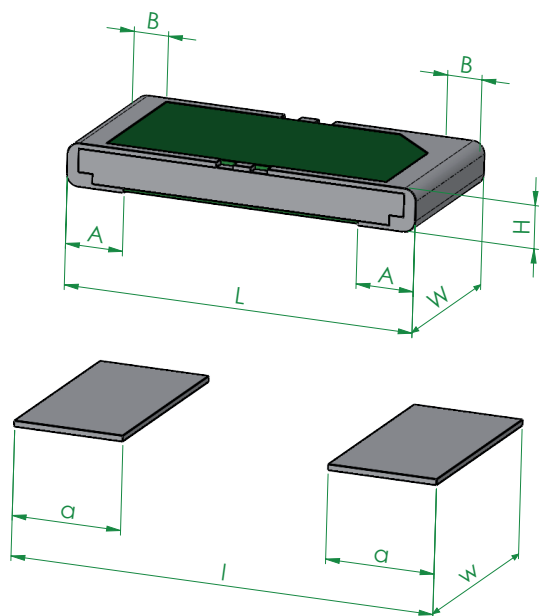
Specification	DIN EN 60286-3		
Tape width	mm	12	
Reel size	inch	13	

## Form of delivery

Cut tape	pcs	up to 1,500
Tape and reel	pcs	>1,500



## Mechanical dimensions and pcb-layout proposal (reflow-soldering) [mm]



Type	L	W	H	A	B
VMK-PMx	3.05 ± 0.2	1.52 ± 0.2	0.4 ± 0.15	0.5 ± 0.15	0.3 ± 0.15

Solder pad type	l	w	a
VMK-PMx	3.7	1.9	0.95

## Available standard resistance values and tolerances\*

Version	DLA drawing no.	Test code	Test requirements acc. to MIL-PRF 32773
Industrial Grade	25004	A	Group A inspection (M Level)
Military Grade		B	Group A & Group B inspection (T Level)
Space Level		T	Group A & Group B inspection (T Level) + Life Test (1000 hrs) acc. to para 4.5 of the DLA drawing

Ordering code	PIN	Ordering code	PIN
VMK-R010-0.5-PMA	25004-OR010DA	VMK-R027-1.0-PMA	25004-OR027FA
VMK-R010-0.5-PMB	25004-OR010DB	VMK-R027-1.0-PMB	25004-OR027FB
VMK-R010-0.5-PMT	25004-OR010DT	VMK-R027-1.0-PMT	25004-OR027FT
VMK-R010-1.0-PMA	25004-OR010FA	VMK-R030-0.5-PMA	25004-OR030DA
VMK-R010-1.0-PMB	25004-OR010FB	VMK-R030-0.5-PMB	25004-OR030DB
VMK-R010-1.0-PMT	25004-OR010FT	VMK-R030-0.5-PMT	25004-OR030DT
VMK-R012-0.5-PMA	25004-OR012DA	VMK-R030-1.0-PMA	25004-OR030FA
VMK-R012-0.5-PMB	25004-OR012DB	VMK-R030-1.0-PMB	25004-OR030FB
VMK-R012-0.5-PMT	25004-OR012DT	VMK-R030-1.0-PMT	25004-OR030FT
VMK-R012-1.0-PMA	25004-OR012FA	VMK-R033-0.5-PMA	25004-OR033DA
VMK-R012-1.0-PMB	25004-OR012FB	VMK-R033-0.5-PMB	25004-OR033DB
VMK-R012-1.0-PMT	25004-OR012FT	VMK-R033-0.5-PMT	25004-OR033DT
VMK-R015-0.5-PMA	25004-OR015DA	VMK-R033-1.0-PMA	25004-OR033FA
VMK-R015-0.5-PMB	25004-OR015DB	VMK-R033-1.0-PMB	25004-OR033FB
VMK-R015-0.5-PMT	25004-OR015DT	VMK-R033-1.0-PMT	25004-OR033FT
VMK-R015-1.0-PMA	25004-OR015FA	VMK-R039-0.5-PMA	25004-OR039DA
VMK-R015-1.0-PMB	25004-OR015FB	VMK-R039-0.5-PMB	25004-OR039DB
VMK-R015-1.0-PMT	25004-OR015FT	VMK-R039-0.5-PMT	25004-OR039DT
VMK-R020-0.5-PMA	25004-OR020DA	VMK-R039-1.0-PMA	25004-OR039FA
VMK-R020-0.5-PMB	25004-OR020DB	VMK-R039-1.0-PMB	25004-OR039FB
VMK-R020-0.5-PMT	25004-OR020DT	VMK-R039-1.0-PMT	25004-OR039FT
VMK-R020-1.0-PMA	25004-OR020FA	VMK-R047-0.5-PMA	25004-OR047DA
VMK-R020-1.0-PMB	25004-OR020FB	VMK-R047-0.5-PMB	25004-OR047DB
VMK-R020-1.0-PMT	25004-OR020FT	VMK-R047-0.5-PMT	25004-OR047DT
VMK-R022-0.5-PMA	25004-OR022DA	VMK-R047-1.0-PMA	25004-OR047FA
VMK-R022-0.5-PMB	25004-OR022DB	VMK-R047-1.0-PMB	25004-OR047FB
VMK-R022-0.5-PMT	25004-OR022DT	VMK-R047-1.0-PMT	25004-OR047FT
VMK-R022-1.0-PMA	25004-OR022FA	VMK-R050-0.5-PMA	25004-OR050DA
VMK-R022-1.0-PMB	25004-OR022FB	VMK-R050-0.5-PMB	25004-OR050DB
VMK-R022-1.0-PMT	25004-OR022FT	VMK-R050-0.5-PMT	25004-OR050DT
VMK-R025-0.5-PMA	25004-OR025DA	VMK-R050-1.0-PMA	25004-OR050FA
VMK-R025-0.5-PMB	25004-OR025DB	VMK-R050-1.0-PMB	25004-OR050FB
VMK-R025-0.5-PMT	25004-OR025DT	VMK-R050-1.0-PMT	25004-OR050FT
VMK-R025-1.0-PMA	25004-OR025FA	VMK-R062-0.5-PMA	25004-OR062DA
VMK-R025-1.0-PMB	25004-OR025FB	VMK-R062-0.5-PMB	25004-OR062DB
VMK-R025-1.0-PMT	25004-OR025FT	VMK-R062-0.5-PMT	25004-OR062DT
VMK-R027-0.5-PMA	25004-OR027DA	VMK-R062-1.0-PMA	25004-OR062FA
VMK-R027-0.5-PMB	25004-OR027DB	VMK-R062-1.0-PMB	25004-OR062FB
VMK-R027-0.5-PMT	25004-OR027DT	VMK-R062-1.0-PMT	25004-OR062FT

## Available standard resistance values and tolerances\*

Ordering code	PIN	Ordering code	PIN
VMK-R068-0.5-PMA	25004-OR068DA	VMK-R200-0.5-PMB	25004-OR200DB
VMK-R068-0.5-PMB	25004-OR068DB	VMK-R200-0.5-PMT	25004-OR200DT
VMK-R068-0.5-PMT	25004-OR068DT	VMK-R200-1.0-PMA	25004-OR200FA
VMK-R068-1.0-PMA	25004-OR068FA	VMK-R200-1.0-PMB	25004-OR200FB
VMK-R068-1.0-PMB	25004-OR068FB	VMK-R200-1.0-PMT	25004-OR200FT
VMK-R068-1.0-PMT	25004-OR068FT	VMK-R220-0.5-PMA	25004-OR220DA
VMK-R100-0.5-PMA	25004-OR100DA	VMK-R220-0.5-PMB	25004-OR220DB
VMK-R100-0.5-PMB	25004-OR100DB	VMK-R220-0.5-PMT	25004-OR220DT
VMK-R100-0.5-PMT	25004-OR100DT	VMK-R220-1.0-PMA	25004-OR220FA
VMK-R100-1.0-PMA	25004-OR100FA	VMK-R220-1.0-PMB	25004-OR220FB
VMK-R100-1.0-PMB	25004-OR100FB	VMK-R220-1.0-PMT	25004-OR220FT
VMK-R100-1.0-PMT	25004-OR100FT	VMK-R300-0.5-PMA	25004-OR300DA
VMK-R120-0.5-PMA	25004-OR120DA	VMK-R300-0.5-PMB	25004-OR300DB
VMK-R120-0.5-PMB	25004-OR120DB	VMK-R300-0.5-PMT	25004-OR300DT
VMK-R120-0.5-PMT	25004-OR120DT	VMK-R300-1.0-PMA	25004-OR300FA
VMK-R120-1.0-PMA	25004-OR120FA	VMK-R300-1.0-PMB	25004-OR300FB
VMK-R120-1.0-PMB	25004-OR120FB	VMK-R300-1.0-PMT	25004-OR300FT
VMK-R120-1.0-PMT	25004-OR120FT	VMK-R330-0.5-PMA	25004-OR330DA
VMK-R140-0.5-PMA	25004-OR140DA	VMK-R330-0.5-PMB	25004-OR330DB
VMK-R140-0.5-PMB	25004-OR140DB	VMK-R330-0.5-PMT	25004-OR330DT
VMK-R140-0.5-PMT	25004-OR140DT	VMK-R330-1.0-PMA	25004-OR330FA
VMK-R140-1.0-PMA	25004-OR140FA	VMK-R330-1.0-PMB	25004-OR330FB
VMK-R140-1.0-PMB	25004-OR140FB	VMK-R330-1.0-PMT	25004-OR330FT
VMK-R140-1.0-PMT	25004-OR140FT	VMK-R360-0.5-PMA	25004-OR360DA
VMK-R150-0.5-PMA	25004-OR150DA	VMK-R360-0.5-PMB	25004-OR360DB
VMK-R150-0.5-PMB	25004-OR150DB	VMK-R360-0.5-PMT	25004-OR360DT
VMK-R150-0.5-PMT	25004-OR150DT	VMK-R360-1.0-PMA	25004-OR360FA
VMK-R150-1.0-PMA	25004-OR150FA	VMK-R360-1.0-PMB	25004-OR360FB
VMK-R150-1.0-PMB	25004-OR150FB	VMK-R360-1.0-PMT	25004-OR360FT
VMK-R150-1.0-PMT	25004-OR150FT	VMK-R470-0.5-PMA	25004-OR470DA
VMK-R180-0.5-PMA	25004-OR180DA	VMK-R470-0.5-PMB	25004-OR470DB
VMK-R180-0.5-PMB	25004-OR180DB	VMK-R470-0.5-PMT	25004-OR470DT
VMK-R180-0.5-PMT	25004-OR180DT	VMK-R470-1.0-PMA	25004-OR470FA
VMK-R180-1.0-PMA	25004-OR180FA	VMK-R470-1.0-PMB	25004-OR470FB
VMK-R180-1.0-PMB	25004-OR180FB	VMK-R470-1.0-PMT	25004-OR470FT
VMK-R180-1.0-PMT	25004-OR180FT		
VMK-R200-0.5-PMA	25004-OR200DA		

\* Further values on request

**Disclaimer** // All products, product specifications and data are subject to change without notice. The product specifications do not expand or otherwise modify Isabellenhütte's terms and conditions of sale, including but not limited to, the warranty expressed therein. Isabellenhütte makes no warranty, representation or guarantee other than as set forth in its terms and conditions of sale. Information provided in datasheets and/or specifications may vary from actual results in different applications. Any statements made by Isabellenhütte regarding the suitability of products for certain types of applications are based on its knowledge of typical requirements that are often placed on its products. It is the customer's responsibility to validate that a particular product with the properties described in the product specification is suitable for use in the application intended. No license, express or implied, or otherwise, to any intellectual property rights is granted by this document. Any and all liability arising out of the application or use of any product shall be as set forth in Isabellenhütte's terms and conditions of sale.

