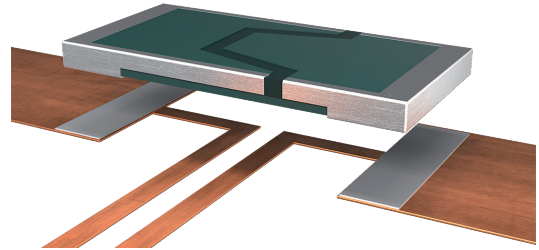




25005/VMP (2010)

ISA-PLAN® PRECISION RESISTOR



FEATURES

- Constant current up to 17 A (5 mOhm)
- 1.5 W power rating at 70 °C
- Two-terminal configuration
- Excellent temperature behavior
- Excellent heat dissipation
- High application temperature range -65 to +170 °C
- SnPb plated terminals

APPLICATIONS

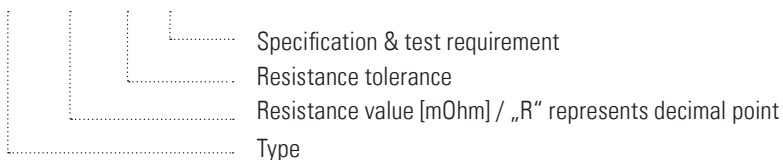
- Industrial Grade / Engineering Models (Test Code A)
- Military Grade (Test Code B)
- Space Level (Test Code T)

Technical data

Resistance values	mOhm	5 to 1000		
Tolerance	%	0.5 / 1		
Temperature coefficient	ppm/K	-55°C to +25°C	+25°C to +125°C	-55°C to +125°C
		±60	±35	±50
Applicable temperature range	°C	-65 to +170		
Power rating P_{70°C}	W	1.5		
Stability (at rated power) deviation after 1000h, T_K = Terminal temperature	%	< 0.5 ($T_K=70^\circ\text{C}$)		

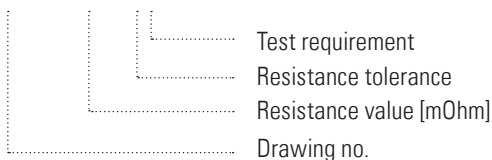
Ordering code Isabellenhütte

VMP - R100 - 0.5 - PMT



DLA Part or Identifying Number (PIN)

25005 - ***** DT



Recommended solder profile

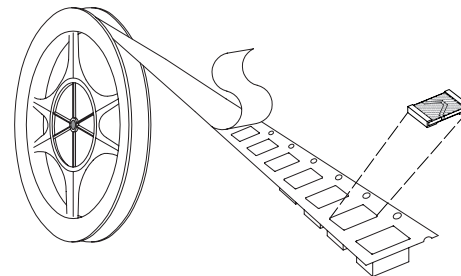
Reflow-, IR-soldering				
Temperature	°C	260	255	217
Time	sec	peak	40	90

Tape and reel information

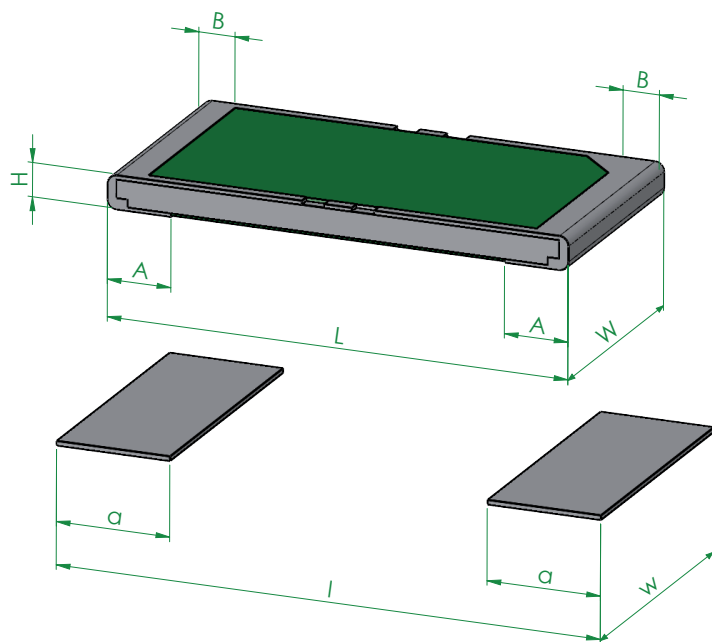
Specification	DIN EN 60286-3			
Tape width	mm	12		
Reel size	inch	13		

Form of delivery

Cut tape	pcs	up to 500		
Tape and reel	pcs	>500		



Mechanical dimensions and pcb-layout proposal (reflow-soldering) [mm]



Type	L	W	H	A	B
VMP-PMx	5.08 ± 0.2	2.54 ± 0.2	0.4 ± 0.15	0.7 ± 0.2	0.4 ± 0.15

Solder pad type	l	w	a
VMP-PMx	6	3	1.25

Disclaimer // All products, product specifications and data are subject to change without notice. The product specifications do not expand or otherwise modify Isabellenhütte's terms and conditions of sale, including but not limited to, the warranty expressed therein. Isabellenhütte makes no warranty, representation or guarantee other than as set forth in its terms and conditions of sale. Information provided in datasheets and/or specifications may vary from actual results in different applications. Any statements made by Isabellenhütte regarding the suitability of products for certain types of applications are based on its knowledge of typical requirements that are often placed on its products. It is the customer's responsibility to validate that a particular product with the properties described in the product specification is suitable for use in the application intended. No license, express or implied, or otherwise, to any intellectual property rights is granted by this document. Any and all liability arising out of the application or use of any product shall be as set forth in Isabellenhütte's terms and conditions of sale.

Available standard resistance values and tolerances*

Version	DLA drawing no.	Test code	Test requirements acc. to MIL-PRF 32773
Industrial Grade	25005	A	Group A inspection (M Level)
Military Grade		B	Group A & Group B inspection (T Level)
Space Level		T	Group A & Group B inspection (T Level) + Life Test (1000 hrs) acc. to para 4.5 of the DLA drawing

Ordering code	PIN	Ordering code	PIN
VMP-R005-0.5-PMA	25005-OR005DA	VMP-R022-0.5-PMT	25005-OR022DT
VMP-R005-0.5-PMB	25005-OR005DB	VMP-R022-1.0-PMA	25005-OR022FA
VMP-R005-0.5-PMT	25005-OR005DT	VMP-R022-1.0-PMB	25005-OR022FB
VMP-R005-1.0-PMA	25005-OR005FA	VMP-R022-1.0-PMT	25005-OR022FT
VMP-R005-1.0-PMB	25005-OR005FB	VMP-R025-0.5-PMA	25005-OR025DA
VMP-R005-1.0-PMT	25005-OR005FT	VMP-R025-0.5-PMB	25005-OR025DB
VMP-R0068-0.5-PMA	25005-R0068DA	VMP-R025-0.5-PMT	25005-OR025DT
VMP-R0068-0.5-PMB	25005-R0068DB	VMP-R025-1.0-PMA	25005-OR025FA
VMP-R0068-0.5-PMT	25005-R0068DT	VMP-R025-1.0-PMB	25005-OR025FB
VMP-R0068-1.0-PMA	25005-R0068FA	VMP-R025-1.0-PMT	25005-OR025FT
VMP-R0068-1.0-PMB	25005-R0068FB	VMP-R033-0.5-PMA	25005-OR033DA
VMP-R0068-1.0-PMT	25005-R0068FT	VMP-R033-0.5-PMB	25005-OR033DB
VMP-R008-0.5-PMA	25005-OR010DA	VMP-R033-0.5-PMT	25005-OR033DT
VMP-R008-0.5-PMB	25005-OR010DB	VMP-R033-1.0-PMA	25005-OR033FA
VMP-R008-0.5-PMT	25005-OR010DT	VMP-R033-1.0-PMB	25005-OR033FB
VMP-R008-1.0-PMA	25005-OR010FA	VMP-R033-1.0-PMT	25005-OR033FT
VMP-R008-1.0-PMB	25005-OR010FB	VMP-R039-0.5-PMA	25005-OR039DA
VMP-R008-1.0-PMT	25005-OR010FT	VMP-R039-0.5-PMB	25005-OR039DB
VMP-R010-0.5-PMA	25005-OR010DA	VMP-R039-0.5-PMT	25005-OR039DT
VMP-R010-0.5-PMB	25005-OR010DB	VMP-R039-1.0-PMA	25005-OR039FA
VMP-R010-0.5-PMT	25005-OR010DT	VMP-R039-1.0-PMB	25005-OR039FB
VMP-R010-1.0-PMA	25005-OR010FA	VMP-R039-1.0-PMT	25005-OR039FT
VMP-R010-1.0-PMB	25005-OR010FB	VMP-R050-0.5-PMA	25005-OR050DA
VMP-R010-1.0-PMT	25005-OR010FT	VMP-R050-0.5-PMB	25005-OR050DB
VMP-R015-0.5-PMA	25005-OR015DA	VMP-R050-0.5-PMT	25005-OR050DT
VMP-R015-0.5-PMB	25005-OR015DB	VMP-R050-1.0-PMA	25005-OR050FA
VMP-R015-0.5-PMT	25005-OR015DT	VMP-R050-1.0-PMB	25005-OR050FB
VMP-R015-1.0-PMA	25005-OR015FA	VMP-R050-1.0-PMT	25005-OR050FT
VMP-R015-1.0-PMB	25005-OR015FB	VMP-R068-0.5-PMA	25005-OR056DA
VMP-R015-1.0-PMT	25005-OR015FT	VMP-R058-0.5-PMB	25005-OR056DB
VMP-R020-0.5-PMA	25005-OR020DA	VMP-R068-0.5-PMT	25005-OR056DT
VMP-R020-0.5-PMB	25005-OR020DB	VMP-R068-1.0-PMA	25005-OR056FA
VMP-R020-0.5-PMT	25005-OR020DT	VMP-R068-1.0-PMB	25005-OR056FB
VMP-R020-1.0-PMA	25005-OR020FA	VMP-R068-1.0-PMT	25005-OR056FT
VMP-R020-1.0-PMB	25005-OR020FB	VMP-R100-0.5-PMA	25005-OR100DA
VMP-R020-1.0-PMT	25005-OR020FT	VMP-R100-0.5-PMB	25005-OR100DB
VMP-R022-0.5-PMA	25005-OR022DA	VMP-R100-0.5-PMT	25005-OR100DT
VMP-R022-0.5-PMB	25005-OR022DB	VMP-R100-1.0-PMA	25005-OR100FA

Ordering code	PIN
VMP-R100-1.0-PMB	25005-OR100FB
VMP-R100-1.0-PMT	25005-OR100FT
VMP-R120-0.5-PMA	25005-OR120DA
VMP-R120-0.5-PMB	25005-OR120DB
VMP-R120-0.5-PMT	25005-OR120DT
VMP-R120-1.0-PMA	25005-OR120FA
VMP-R120-1.0-PMB	25005-OR120FB
VMP-R120-1.0-PMT	25005-OR120FT
VMP-R150-0.5-PMA	25005-OR150DA
VMP-R150-0.5-PMB	25005-OR150DB
VMP-R150-0.5-PMT	25005-OR150DT
VMP-R150-1.0-PMA	25005-OR150FA
VMP-R150-1.0-PMB	25005-OR150FB
VMP-R150-1.0-PMT	25005-OR150FT
VMP-R160-0.5-PMA	25005-OR160DA
VMP-R160-0.5-PMB	25005-OR160DB
VMP-R160-0.5-PMT	25005-OR160DT
VMP-R160-1.0-PMA	25005-OR160FA
VMP-R160-1.0-PMB	25005-OR160FB
VMP-R160-1.0-PMT	25005-OR160FT
VMP-R180-0.5-PMA	25005-OR180DA
VMP-R180-0.5-PMB	25005-OR180DB
VMP-R180-0.5-PMT	25005-OR180DT
VMP-R180-1.0-PMA	25005-OR180FA
VMP-R180-1.0-PMB	25005-OR180FB
VMP-R180-1.0-PMT	25005-OR180FT
VMP-R200-0.5-PMA	25005-OR200DA
VMP-R200-0.5-PMB	25005-OR200DB
VMP-R200-0.5-PMT	25005-OR200DT
VMP-R200-1.0-PMA	25005-OR200FA
VMP-R200-1.0-PMB	25005-OR200FB
VMP-R200-1.0-PMT	25005-OR200FT
VMP-R250-0.5-PMA	25005-OR220DA
VMP-R250-0.5-PMB	25005-OR220DB
VMP-R250-0.5-PMT	25005-OR220DT
VMP-R250-1.0-PMA	25005-OR220FA
VMP-R250-1.0-PMB	25005-OR220FB
VMP-R250-1.0-PMT	25005-OR220FT
VMP-R270-0.5-PMA	25005-OR270DA
VMP-R270-0.5-PMB	25005-OR270DB
VMP-R270-0.5-PMT	25005-OR270DT
VMP-R270-1.0-PMA	25005-OR270FA
VMP-R270-1.0-PMB	25005-OR270FB
VMP-R270-1.0-PMT	25005-OR270FT

Ordering code	PIN
VMP-R300-0.5-PMA	25005-OR300DA
VMP-R300-0.5-PMB	25005-OR300DB
VMP-R300-0.5-PMT	25005-OR300DT
VMP-R300-1.0-PMA	25005-OR300FA
VMP-R300-1.0-PMB	25005-OR300FB
VMP-R300-1.0-PMT	25005-OR300FT
VMP-R390-0.5-PMA	25005-OR390DA
VMP-R390-0.5-PMB	25005-OR390DB
VMP-R390-0.5-PMT	25005-OR390DT
VMP-R390-1.0-PMA	25005-OR390FA
VMP-R390-1.0-PMB	25005-OR390FB
VMP-R390-1.0-PMT	25005-OR390FT
VMP-R470-0.5-PMA	25005-OR470DA
VMP-R470-0.5-PMB	25005-OR470DB
VMP-R470-0.5-PMT	25005-OR470DT
VMP-R470-1.0-PMA	25005-OR470FA
VMP-R470-1.0-PMB	25005-OR470FB
VMP-R470-1.0-PMT	25005-OR470FT
VMP-R500-0.5-PMA	25005-OR500DA
VMP-R500-0.5-PMB	25005-OR500DB
VMP-R500-0.5-PMT	25005-OR500DT
VMP-R500-1.0-PMA	25005-OR500FA
VMP-R500-1.0-PMB	25005-OR500FB
VMP-R500-1.0-PMT	25005-OR500FT
VMP-R560-0.5-PMA	25005-OR560DA
VMP-R560-0.5-PMB	25005-OR560DB
VMP-R560-0.5-PMT	25005-OR560DT
VMP-R560-1.0-PMA	25005-OR560FA
VMP-R560-1.0-PMB	25005-OR560FB
VMP-R560-1.0-PMT	25005-OR560FT
VMP-R820-0.5-PMA	25005-OR820DA
VMP-R820-0.5-PMB	25005-OR820DB
VMP-R820-0.5-PMT	25005-OR820DT
VMP-R820-1.0-PMA	25005-OR820FA
VMP-R820-1.0-PMB	25005-OR820FB
VMP-R820-1.0-PMT	25005-OR820FT
VMP-1R00-0.5-PMA	25005-1R000DA
VMP-1R00-0.5-PMB	25005-1R000DB
VMP-1R00-0.5-PMT	25005-1R000DT
VMP-1R00-1.0-PMA	25005-1R000FA
VMP-1R00-1.0-PMB	25005-1R000FB
VMP-1R00-1.0-PMT	25005-1R000FT

* Further values on request

