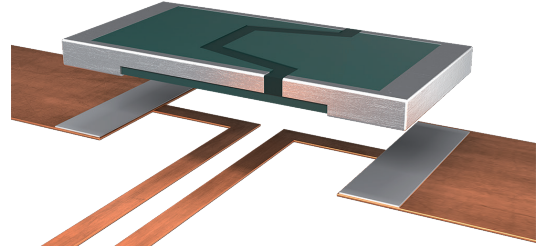


25006/VMS (2512)

ISA-PLAN® PRECISION RESISTOR



FEATURES

- Constant current up to 20 A (5 mOhm)
- 2 W power rating at 70 °C
- Two-terminal configuration
- Excellent temperature behavior
- Excellent heat dissipation
- High application temperature range -65 to +170 °C
- SnPb plated terminals

APPLICATIONS

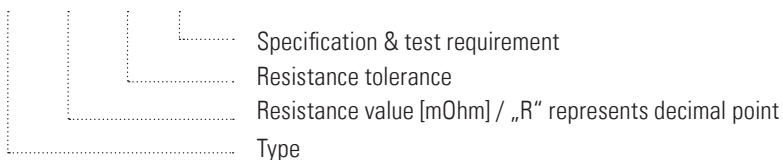
- Industrial Grade / Engineering Models (Test Code A)
- Military Grade (Test Code B)
- Space Level (Test Code T)

Technical data

Resistance values	mOhm	5 to 1000		
Tolerance	%	0.5 / 1		
Temperature coefficient	ppm/K	-55°C to +25°C	+25°C to +125°C	-55°C to +125°C
		±60	±35	±50
Applicable temperature range	°C	-65 to +170		
Power rating P_{70°C}	W	2		
Stability (at rated power) deviation after 1000h, T_K = Terminal temperature	%	< 0.5 ($T_K=70^\circ\text{C}$)		

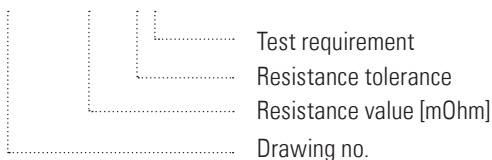
Ordering code Isabellenhütte

VMS - 1R00 - 0.5 - PMB



DLA Part or Identifying Number (PIN)

25006 - ***** DB



Recommended solder profile

Reflow-, IR-soldering

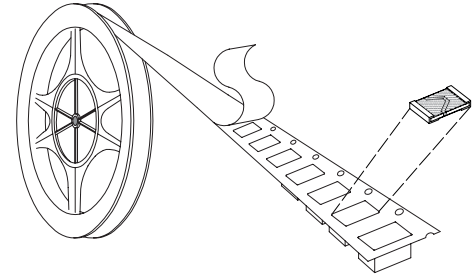
Temperature	°C	260	255	217
Time	sec	peak	40	90

Tape and reel information

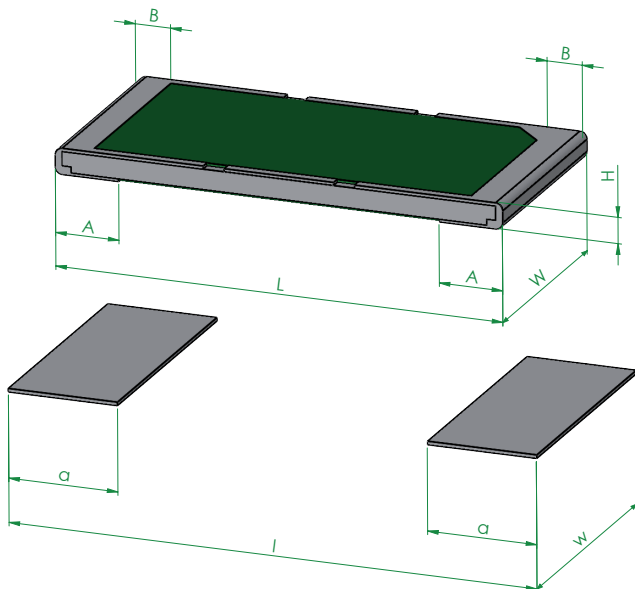
Specification	DIN EN 60286-3		
Tape width	mm	12	
Reel size	inch	13	

Form of delivery

Cut tape	pcs	up to 500
Tape and reel	pcs	>500



Mechanical dimensions and pcb-layout proposal (reflow-soldering) [mm]



Type	L	W	H	A	B
VMS-PMx	6.35 ± 0.3	3.05 ± 0.2	0.4 ± 0.15	0.9 ± 0.2	0.5 ± 0.2

Solder pad type	l	w	a
VMS-PMx	7.5	3.6	1.55

Available standard resistance values and tolerances. Further values on request.

Version	DLA drawing no.	Test code	Test requirements acc. to MIL-PRF 32773
Industrial Grade	25006	A	Group A inspection (M Level)
Military Grade		B	Group A & Group B inspection (T Level)
Space Level		T	Group A & Group B inspection (T Level) + Life Test (1000 hrs) acc. to para 4.5 of the DLA drawing

Ordering code	PIN	Ordering code	PIN
VMS-R005-0.5-PMA	25006-OR005DA	VMS-R022-1.0-PMT	25006-OR022FT
VMS-R005-0.5-PMB	25006-OR005DB	VMS-R025-0.5-PMA	25006-OR025DA
VMS-R005-0.5-PMT	25006-OR005DT	VMS-R025-0.5-PMB	25006-OR025DB
VMS-R005-1.0-PMA	25006-OR005FA	VMS-R025-0.5-PMT	25006-OR025DT
VMS-R005-1.0-PMB	25006-OR005FB	VMS-R025-1.0-PMA	25006-OR025FA
VMS-R005-1.0-PMT	25006-OR005FT	VMS-R025-1.0-PMB	25006-OR025FB
VMS-R0068-0.5-PMA	25006-R0068DA	VMS-R025-1.0-PMT	25006-OR025FT
VMS-R0068-0.5-PMB	25006-R0068DB	VMS-R027-0.5-PMA	25006-OR027DA
VMS-R0068-0.5-PMT	25006-R0068DT	VMS-R027-0.5-PMB	25006-OR027DB
VMS-R0068-1.0-PMA	25006-R0068FA	VMS-R027-0.5-PMT	25006-OR027DT
VMS-R0068-1.0-PMB	25006-R0068FB	VMS-R027-1.0-PMA	25006-OR027FA
VMS-R0068-1.0-PMT	25006-R0068FT	VMS-R027-1.0-PMB	25006-OR027FB
VMS-R010-0.5-PMA	25006-OR010DA	VMS-R027-1.0-PMT	25006-OR027FT
VMS-R010-0.5-PMB	25006-OR010DB	VMS-R030-0.5-PMA	25006-OR030DA
VMS-R010-0.5-PMT	25006-OR010DT	VMS-R030-0.5-PMB	25006-OR030DB
VMS-R010-1.0-PMA	25006-OR010FA	VMS-R030-0.5-PMT	25006-OR030DT
VMS-R010-1.0-PMB	25006-OR010FB	VMS-R030-1.0-PMA	25006-OR030FA
VMS-R010-1.0-PMT	25006-OR010FT	VMS-R030-1.0-PMB	25006-OR030FB
VMS-R012-0.5-PMA	25006-OR012DA	VMS-R030-1.0-PMT	25006-OR030FT
VMS-R012-0.5-PMB	25006-OR012DB	VMS-R033-0.5-PMA	25006-OR033DA
VMS-R012-0.5-PMT	25006-OR012DT	VMS-R033-0.5-PMB	25006-OR033DB
VMS-R012-1.0-PMA	25006-OR012FA	VMS-R033-0.5-PMT	25006-OR033DT
VMS-R012-1.0-PMB	25006-OR012FB	VMS-R033-1.0-PMA	25006-OR033FA
VMS-R012-1.0-PMT	25006-OR012FT	VMS-R033-1.0-PMB	25006-OR033FB
VMS-R015-0.5-PMA	25006-OR015DA	VMS-R033-1.0-PMT	25006-OR033FT
VMS-R015-0.5-PMB	25006-OR015DB	VMS-R039-0.5-PMA	25006-OR039DA
VMS-R015-0.5-PMT	25006-OR015DT	VMS-R039-0.5-PMB	25006-OR039DB
VMS-R015-1.0-PMA	25006-OR015FA	VMS-R039-0.5-PMT	25006-OR039DT
VMS-R015-1.0-PMB	25006-OR015FB	VMS-R039-1.0-PMA	25006-OR039FA
VMS-R015-1.0-PMT	25006-OR015FT	VMS-R039-1.0-PMB	25006-OR039FB
VMS-R020-0.5-PMA	25006-OR020DA	VMS-R039-1.0-PMT	25006-OR039FT
VMS-R020-0.5-PMB	25006-OR020DB	VMS-R040-0.5-PMA	25006-OR040DA
VMS-R020-0.5-PMT	25006-OR020DT	VMS-R040-0.5-PMB	25006-OR040DB
VMS-R020-1.0-PMA	25006-OR020FA	VMS-R040-0.5-PMT	25006-OR040DT
VMS-R020-1.0-PMB	25006-OR020FB	VMS-R040-1.0-PMA	25006-OR040FA
VMS-R020-1.0-PMT	25006-OR020FT	VMS-R040-1.0-PMB	25006-OR040FB
VMS-R022-0.5-PMA	25006-OR022DA	VMS-R040-1.0-PMT	25006-OR040FT
VMS-R022-0.5-PMB	25006-OR022DB	VMS-R047-0.5-PMA	25006-OR047DA
VMS-R022-0.5-PMT	25006-OR022DT	VMS-R047-0.5-PMB	25006-OR047DB
VMS-R022-1.0-PMA	25006-OR022FA	VMS-R047-0.5-PMT	25006-OR047DT
VMS-R022-1.0-PMB	25006-OR022FB	VMS-R047-1.0-PMA	25006-OR047FA

Available standard resistance values and tolerances. Further values on request.

Ordering code	PIN	Ordering code	PIN
VMS-R047-1.0-PMB	25006-OR047FB	VMS-R200-0.5-PMA	25006-OR200DA
VMS-R047-1.0-PMT	25006-OR047FT	VMS-R200-0.5-PMB	25006-OR200DB
VMS-R050-0.5-PMA	25006-OR050DA	VMS-R200-0.5-PMT	25006-OR200DT
VMS-R050-0.5-PMB	25006-OR050DB	VMS-R200-1.0-PMA	25006-OR200FA
VMS-R050-0.5-PMT	25006-OR050DT	VMS-R200-1.0-PMB	25006-OR200FB
VMS-R050-1.0-PMA	25006-OR050FA	VMS-R200-1.0-PMT	25006-OR200FT
VMS-R050-1.0-PMB	25006-OR050FB	VMS-R220-0.5-PMA	25006-OR220DA
VMS-R050-1.0-PMT	25006-OR050FT	VMS-R220-0.5-PMB	25006-OR220DB
VMS-R056-0.5-PMA	25006-OR056DA	VMS-R220-0.5-PMT	25006-OR220DT
VMS-R056-0.5-PMB	25006-OR056DB	VMS-R220-1.0-PMA	25006-OR220FA
VMS-R056-0.5-PMT	25006-OR056DT	VMS-R220-1.0-PMB	25006-OR220FB
VMS-R056-1.0-PMA	25006-OR056FA	VMS-R220-1.0-PMT	25006-OR220FT
VMS-R056-1.0-PMB	25006-OR056FB	VMS-R240-0.5-PMA	25006-OR240DA
VMS-R056-1.0-PMT	25006-OR056FT	VMS-R240-0.5-PMB	25006-OR240DB
VMS-R068-0.5-PMA	25006-OR068DA	VMS-R240-0.5-PMT	25006-OR240DT
VMS-R068-0.5-PMB	25006-OR068DB	VMS-R240-1.0-PMA	25006-OR240FA
VMS-R068-0.5-PMT	25006-OR068DT	VMS-R240-1.0-PMB	25006-OR240FB
VMS-R068-1.0-PMA	25006-OR068FA	VMS-R240-1.0-PMT	25006-OR240FT
VMS-R068-1.0-PMB	25006-OR068FB	VMS-R270-0.5-PMA	25006-OR270DA
VMS-R068-1.0-PMT	25006-OR068FT	VMS-R270-0.5-PMB	25006-OR270DB
VMS-R082-0.5-PMA	25006-OR082DA	VMS-R270-0.5-PMT	25006-OR270DT
VMS-R082-0.5-PMB	25006-OR082DB	VMS-R270-1.0-PMA	25006-OR270FA
VMS-R082-0.5-PMT	25006-OR082DT	VMS-R270-1.0-PMB	25006-OR270FB
VMS-R082-1.0-PMA	25006-OR082FA	VMS-R270-1.0-PMT	25006-OR270FT
VMS-R082-1.0-PMB	25006-OR082FB	VMS-R300-0.5-PMA	25006-OR300DA
VMS-R082-1.0-PMT	25006-OR082FT	VMS-R300-0.5-PMB	25006-OR300DB
VMS-R100-0.5-PMA	25006-OR100DA	VMS-R300-0.5-PMT	25006-OR300DT
VMS-R100-0.5-PMB	25006-OR100DB	VMS-R300-1.0-PMA	25006-OR300FA
VMS-R100-0.5-PMT	25006-OR100DT	VMS-R300-1.0-PMB	25006-OR300FB
VMS-R100-1.0-PMA	25006-OR100FA	VMS-R300-1.0-PMT	25006-OR300FT
VMS-R100-1.0-PMB	25006-OR100FB	VMS-R330-0.5-PMA	25006-OR330DA
VMS-R100-1.0-PMT	25006-OR100FT	VMS-R330-0.5-PMB	25006-OR330DB
VMS-R120-0.5-PMA	25006-OR120DA	VMS-R330-0.5-PMT	25006-OR330DT
VMS-R120-0.5-PMB	25006-OR120DB	VMS-R330-1.0-PMA	25006-OR330FA
VMS-R120-0.5-PMT	25006-OR120DT	VMS-R330-1.0-PMB	25006-OR330FB
VMS-R120-1.0-PMA	25006-OR120FA	VMS-R330-1.0-PMT	25006-OR330FT
VMS-R120-1.0-PMB	25006-OR120FB	VMS-R470-0.5-PMA	25006-OR470DA
VMS-R120-1.0-PMT	25006-OR120FT	VMS-R470-0.5-PMB	25006-OR470DB
VMS-R150-0.5-PMA	25006-OR150DA	VMS-R470-0.5-PMT	25006-OR470DT
VMS-R150-0.5-PMB	25006-OR150DB	VMS-R470-1.0-PMA	25006-OR470FA
VMS-R150-0.5-PMT	25006-OR150DT	VMS-R470-1.0-PMB	25006-OR470FB
VMS-R150-1.0-PMA	25006-OR150FA	VMS-R470-1.0-PMT	25006-OR470FT
VMS-R150-1.0-PMB	25006-OR150FB	VMS-R500-0.5-PMA	25006-OR500DA
VMS-R150-1.0-PMT	25006-OR150FT	VMS-R500-0.5-PMB	25006-OR500DB
VMS-R180-0.5-PMA	25006-OR180DA	VMS-R500-0.5-PMT	25006-OR500DT
VMS-R180-0.5-PMB	25006-OR180DB	VMS-R500-1.0-PMA	25006-OR500FA
VMS-R180-0.5-PMT	25006-OR180DT	VMS-R500-1.0-PMB	25006-OR500FB
VMS-R180-1.0-PMA	25006-OR180FA	VMS-R500-1.0-PMT	25006-OR500FT
VMS-R180-1.0-PMB	25006-OR180FB	VMS-R680-0.5-PMA	25006-OR680DA
VMS-R180-1.0-PMT	25006-OR180FT	VMS-R680-0.5-PMB	25006-OR680DB

Available standard resistance values and tolerances. Further values on request.

Ordering code	PIN
VMS-R680-0.5-PMT	25006-0R680DT
VMS-R680-1.0-PMA	25006-0R680FA
VMS-R680-1.0-PMB	25006-0R680FB
VMS-R680-1.0-PMT	25006-0R680FT
VMS-1R00-0.5-PMA	25006-1R000DA
VMS-1R00-0.5-PMB	25006-1R000DB
VMS-1R00-0.5-PMT	25006-1R000DT
VMS-1R00-1.0-PMA	25006-1R000FA
VMS-1R00-1.0-PMB	25006-1R000FB
VMS-1R00-1.0-PMT	25006-1R000FT

Disclaimer // All products, product specifications and data are subject to change without notice. The product specifications do not expand or otherwise modify Isabellenhütte's terms and conditions of sale, including but not limited to, the warranty expressed therein. Isabellenhütte makes no warranty, representation or guarantee other than as set forth in its terms and conditions of sale. Information provided in datasheets and/or specifications may vary from actual results in different applications. Any statements made by Isabellenhütte regarding the suitability of products for certain types of applications are based on its knowledge of typical requirements that are often placed on its products. It is the customer's responsibility to validate that a particular product with the properties described in the product specification is suitable for use in the application intended. No license, express or implied, or otherwise, to any intellectual property rights is granted by this document. Any and all liability arising out of the application or use of any product shall be as set forth in Isabellenhütte's terms and conditions of sale.

